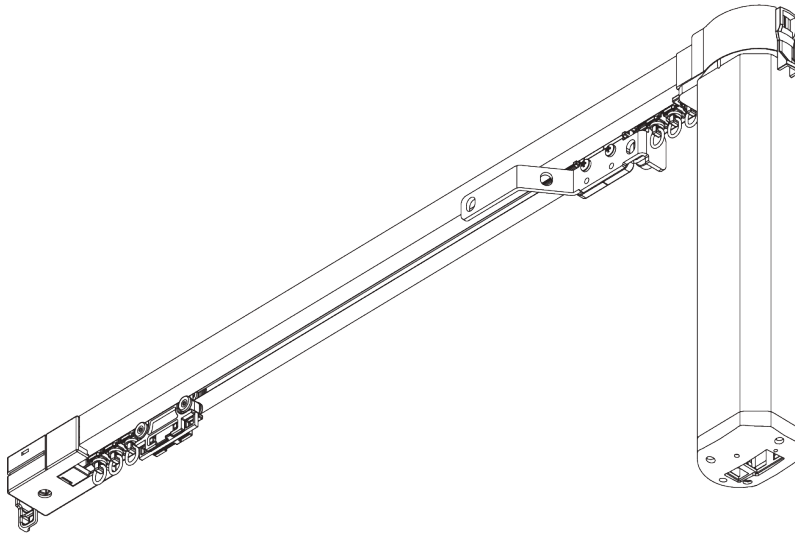
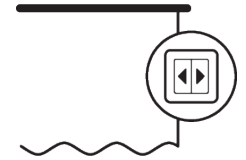


SG 5100



PRODUCT INFORMATION

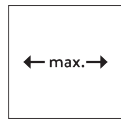
- **Operation:** motorised
- **Range:** S - M
- **Fitting:** ceiling, wall, recess
- **Colours:** white RAL 9016, black RAL 9005* (*motor in white only), grey+ (+motor, gear drive, glider in white only), special colours possible (recess profile only in white, black or special color)
- **Fabrics:** refer to Silent Gliss fabric collection

Features:

- 2-component (2C) roller technology
- Wave (2C)
- Various control options
- Touch & Go
- Manual override
- Different motor versions
- Bendable
- Bendable recess profile

SYSTEM SPECIFICATIONS

A. SYSTEM DIMENSIONS



9 m



30 kg

Max. curtain weights with 2C rollers / Wave rollers

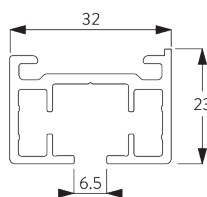
	3 m	6 m	9 m
	25	30	28
	25	30	28
	25	22	18
	25	22	18
	20	18	13
	20	18	13
	15	13	-
	15	13	-
(kg max.)			

Max. curtain weights with Wave gliders

	3 m	6 m	9 m
	20	20	18
	20	20	18
	18	14	10
	18	14	10
	12	10	8
	12	10	8
	10	9	-
	10	9	-
(kg max.)			

B. PROFILE

Profile and bending information

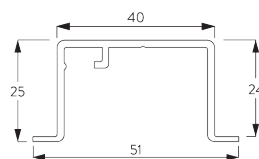


SG 10850

Profile

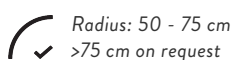


Radius:
>25 cm



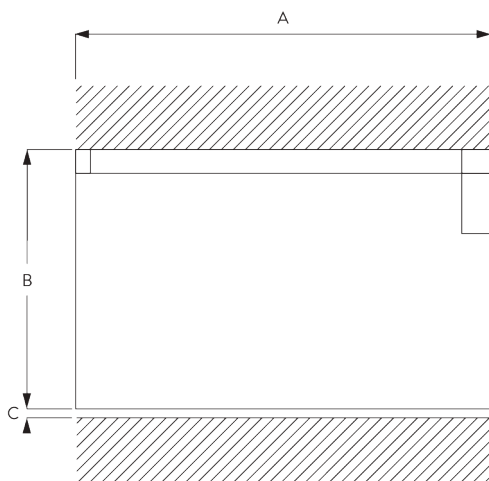
SG 10862

Recess profile



Radius: 50 - 75 cm
>75 cm on request

C. HOW TO MEASURE



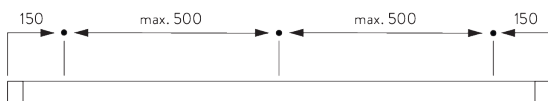
A: System width
B: System height
C: Distance between floor and fabric

FITTING

A. FITTING INFORMATION

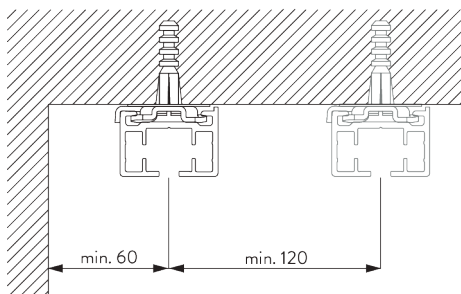
For detailed fitting information, visit the [Silent Gliss website](#).

Fixing points



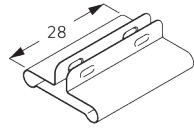
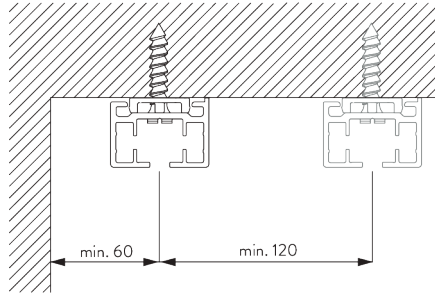
B. CEILING FITTING

Clamp SG 3004

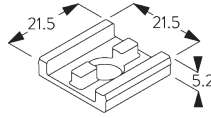


SG 3004
Clamp

Direct fitting (2C roller only)



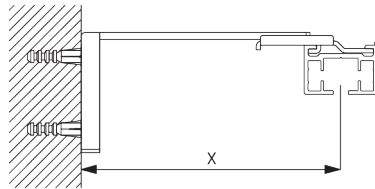
SG 7002
Profile protector



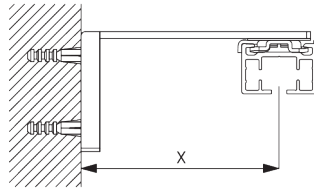
SG 10865
Support plate

C. WALL FITTING

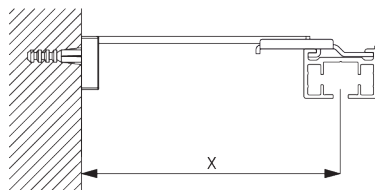
Smart Fix



Smart Fix SG 11200 - SG 11205 and bracket SG 3041:
Screw SG 10492 (M4x8) needed.

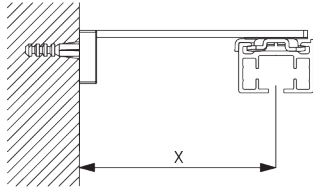


Smart Fix SG 11200 - SG 11205 and clamp SG 3004:
Screw SG 10074 (M4x8) needed.



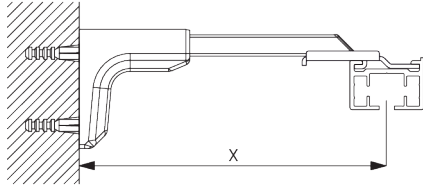
Square Smart Fix SG 11210 - SG 11215 and bracket SG 3041:
Screw SG 10492 (M4x8) needed.

Smart Fix	X mm (SG 3041)	X mm (SG 3004)
SG 11200 / SG 11210	83	
SG 11201 / SG 11211	103	72
SG 11202 / SG 11212	123	92
SG 11203 / SG 11213	143	112
SG 11204 / SG 11214	173	142
SG 11205 / SG 11215	223	192
SG 11154	128-156	102-130
SG 11155	158-186	132-160
SG 11156	208-236	182-210



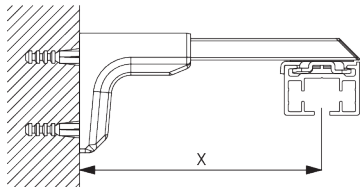
**Square Smart Fix SG 11210 - SG 11215 and clamp
SG 3004:**

Screw SG 10074 (M4x8) needed.



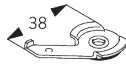
**Universal Smart Fix SG 11154 - SG 11156 and bracket
SG 3041:**

Screw SG 10407 (M4x10) needed.



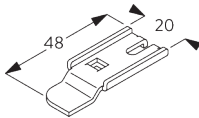
**Universal Smart Fix SG 11154 - SG 11156 and clamp
SG 3004:**

Screw SG 11158 (M4x12) needed.



SG 3004

Clamp



SG 3041

Bracket



SG 10074

Countersunk head screw
M4x8



SG 10407

Pan head screw M4x10



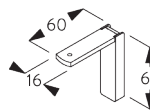
SG 10492

Pan head screw M4x8



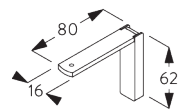
SG 11158

Countersunk head screw
M4x12



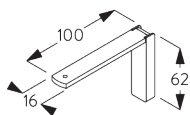
SG 11200

Smart Fix 60 mm



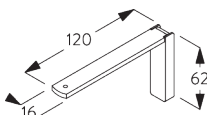
SG 11201

Smart Fix 80 mm



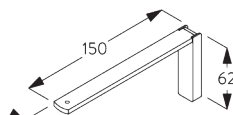
SG 11202

Smart Fix 100 mm



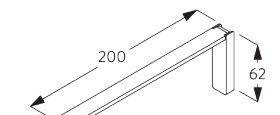
SG 11203

Smart Fix 120 mm



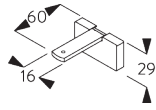
SG 11204

Smart Fix 150 mm

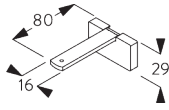


SG 11205

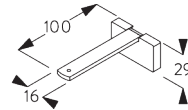
Smart Fix 200 mm



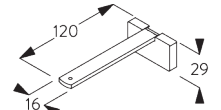
SG 11210
Square Smart Fix 60 mm



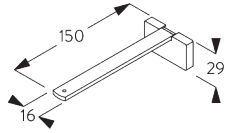
SG 11211
Square Smart Fix 80 mm



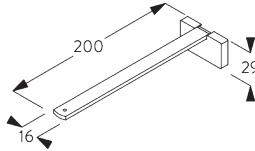
SG 11212
Square Smart Fix 100 mm



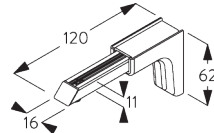
SG 11213
Square Smart Fix 120 mm



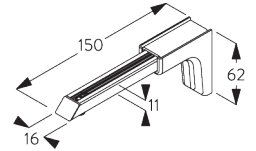
SG 11214
Square Smart Fix 150 mm



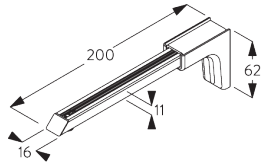
SG 11215
Square Smart Fix 200 mm



SG 11154
Universal Smart Fix 120 mm



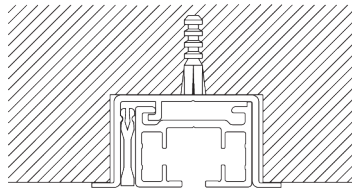
SG 11155
Universal Smart Fix 150 mm



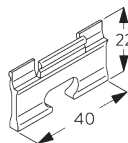
SG 11156
Universal Smart Fix 200 mm

D. RECESS FITTING

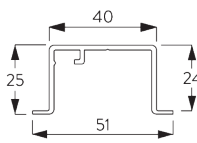
Recess profile SG 10862



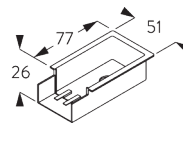
One wedge SG 5118 per fixing point.
For detailed recess fitting, visit the Silent Gliss website.



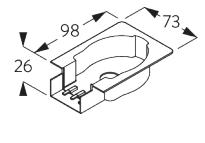
SG 5118
Wedge



SG 10862
Recess profile



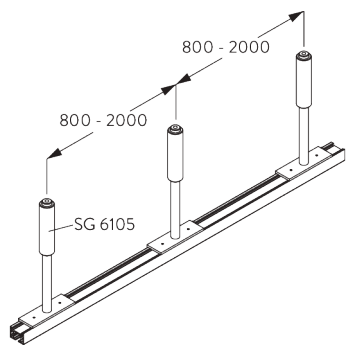
SG 10864
Recess mask



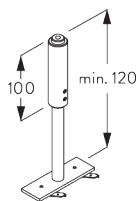
SG 11467
Recess mask

**E. SUSPENDED
FITTING**

Hanger SG 6105



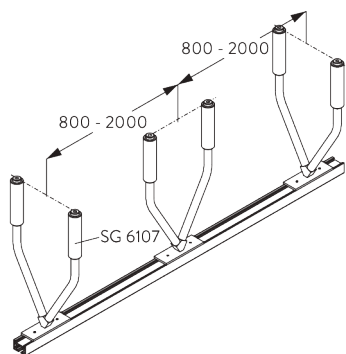
Curtain weight reduces by 30%.



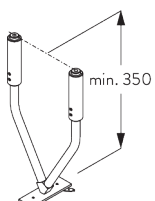
SG 6105

Hanger with plate

V-hanger SG 6107



Curtain weight reduces by 30%.

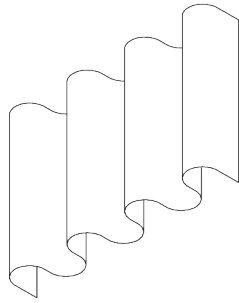


SG 6107

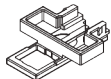
V-Hanger with plate

SYSTEM OPTIONS

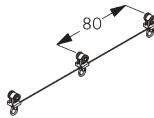
A. WAVE



SG 6365



SG 11466



SG 10852



SG 10854



SG 10856



SG 10867



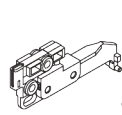
SG 10886



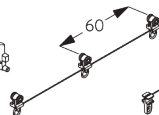
SG 10887

Standard components:

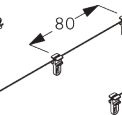
- SG 6365 Wave hanger
- SG 11466 Wave end stop
- SG 10852 Wave 2C roller cord, 80 mm
- SG 10854 Wave overlap arm support
- SG 10856 Wave end stop, belt return
- SG 10867 Panhead screw
- SG 10886 Wave extension
- SG 10887 Wave overlap arm set



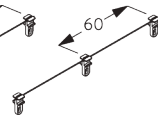
SG 10845



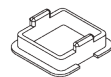
SG 10869



SG 10905



SG 10906



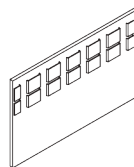
SG 10924

Optional components:

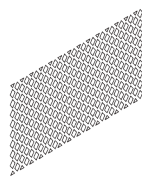
- SG 10845 Wave master carrier single stack 80 mm
- SG 10869 Wave 2C roller cord, 60 mm (no single stack)
- SG 10905 Wave glider cord, 80 mm
- SG 10906 Wave glider cord, 60 mm (no single stack)
- SG 10924 Wave glider support



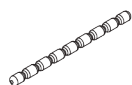
SG 3582



SG 6349



SG 6363



SG 10075

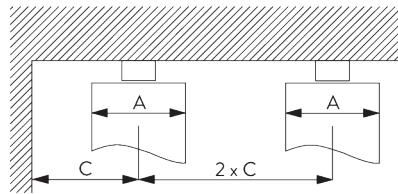
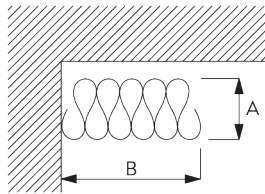


SG 10076

Curtain components:

- SG 3582 Hook
- SG 6349 Wave curtain tape
- SG 6363 Wave top hemming tape
- SG 10075 Lead weight 50 gr/m
- SG 10076 Fabric weight

Wave stack depth - 2C roller / glider cord (standard components)



A = Stack depth
B = Stack size
C = Min. distance

Roller / glider cord SG 10852 / 10905	Pockets between hooks	Approx. curtain fullness	Stack depth A	Stack size B*	Min distance C
80	6	~2.1	140	210 per metre of track	90
80	7	~2.3	160	210 per metre of track	100

Roller / glider cord SG 10869 / 10906	Pockets between hooks	Approx. curtain fullness	Stack depth A	Stack size B*	Min distance C
60	4	~2.1	100	260 per metre of track	70
60	5	~2.3	120	260 per metre of track	80

*Stack size B plus 180 mm for each curtain stack!

MOTORS & CONTROLS

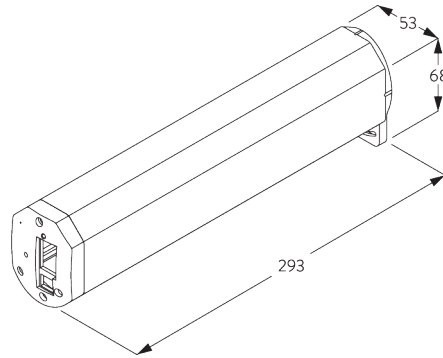
A. MOTOR FEATURES

Motors	SG 5190	SG 5192	SG 5193
Motor Features			
Soft start / stop	●	●	●
Touch & Go	●	●	
Manual Override	●	●	●
Built-in receiver	●	●	
Electronic end-stop	●	●	●
Electronic revolution counter (unlimited revolution)	●	●	●
Parallel wiring possible without additional relays	●	●	●
Cable connectable with plug into motor		●	
IP class	IP 20	IP 20	IP 20
Control Features			
Mains power control			●
Dry contact control	●	●	
Dry contact and / or SG Control A	●	●	
SG Control A	●	●	
Suitable for all common home automation systems (with suitable interface)	●	●	●

B. MOTOR SPECIFICATIONS

Motors	Motor dimensions	Voltage	Current	Frequency	System speed / sec	Frequency receiver
SG 5190	L 293 x W 53 x D 68	100 - 240 V AC	0.8 - 0.4 A	50 / 60 Hz	15 cm / sec	433 MHz
SG 5192	L 293 x W 53 x D 68	24 V DC	3.5 A	n/a	15 cm / sec	433 MHz
SG 5193	L 293 x W 53 x D 68	100 - 240 V AC	0.8 - 0.4 A	50 / 60 Hz	15 cm / sec	n/a

C. MOTOR DIMENSIONS



D. OPERATING METHODS

See catalogue "controls" for details.

Wall switch



System can be operated by fixed wall switch.

SG Control A



Various radio hand-held and wall transmitters available.


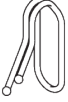
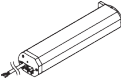
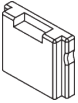
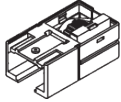
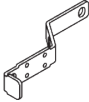

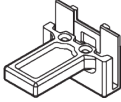
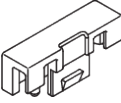
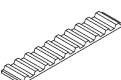
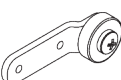
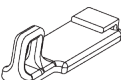
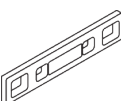
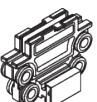
E. WIRING DIAGRAMS


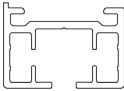
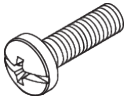
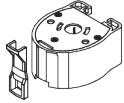


Refer to Silent Gliss website.


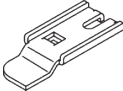


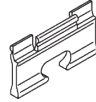
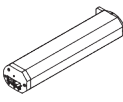
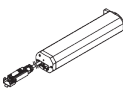


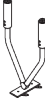


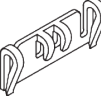
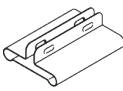
PARTS

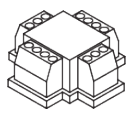
A. STANDARD PARTS

	SG 3004 Clamp
	SG 3581 Hook
	SG 5190 Motor 100-240V AC, 1/130, radio receiver
	SG 10815 Cover
	SG 10819 Belt return
	SG 10821 Overlap arm
	SG 10822 Master carrier
	SG 10823 Belt connector arm
	SG 10824 Belt connector pin
	SG 10825 Belt
	SG 10826 Overlap arm support
	SG 10836 Mask pair stack
	SG 10837 Pilot runner
	SG 10838 Pilot runner

	SG 10840 2C roller
	SG 10850 Profile
	SG 10923 Pan head screw Freedriv M4x12
	SG 11464 Motor holder

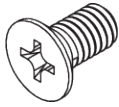
B. OPTIONAL PARTS

	SG 3012 Hook
	SG 3041 Bracket
	SG 3582 Hook
	SG 3599 Hook
	SG 5118 Wedge
	SG 5192 Motor 24V DC, 1/130, radio receiver
	SG 5193 Motor 100-240V AC, 1/130, mains controlled
	SG 6086 Spring stop
	SG 6105 Hanger with plate
	SG 6107 V-Hanger with plate
	SG 6349 Wave curtain tape
	SG 6363 Wave top hemming tape
	SG 6365 Wave hanger
	SG 7002 Profile protector



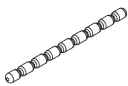
SG 9959

Central control unit relay



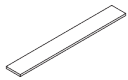
SG 10074

Countersunk head screw M4x8



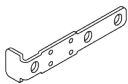
SG 10075

Lead weight 50 g/m



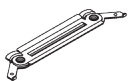
SG 10076

Fabric weight



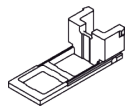
SG 10820

Overlap arm



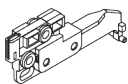
SG 10831

Connection bridge



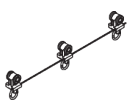
SG 10844

Wave end stop



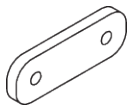
SG 10845

Wave master carrier 80 mm



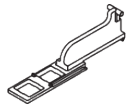
SG 10852

Wave 2C roller cord 80 mm



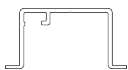
SG 10854

Wave overlap plate



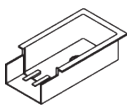
SG 10856

Wave extension



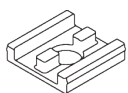
SG 10862

Recess profile



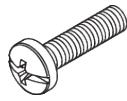
SG 10864

Recess mask



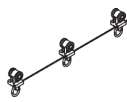
SG 10865

Support plate



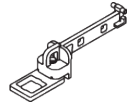
SG 10867

Pan head screw Freedriv M4x16



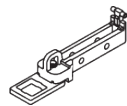
SG 10869

Wave 2C roller cord 60 mm



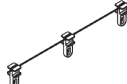
SG 10886

Wave extension



SG 10887

Wave extension



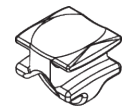
SG 10905

Wave glider cord 80 mm



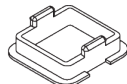
SG 10906

Wave glider cord 60 mm



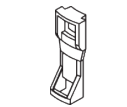
SG 10921

Glider for direct sewing



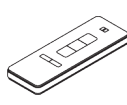
SG 10924

Wave glider support



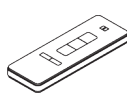
SG 10927

Hook



SG 10946

Radio hand held 1 channel



SG 10947

Radio hand held 2+1 channel



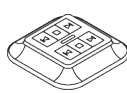
SG 10948

Radio hand held 6+1 channel



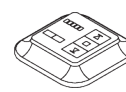
SG 10949

Radio wall transmitter 1 channel



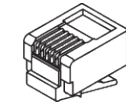
SG 10950

Radio wall transmitter 2 channel



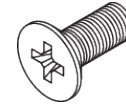
SG 10951

Radio wall transmitter 5+1 channel



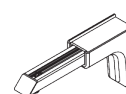
SG 10952

Plug for dry contact RJ 12



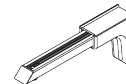
SG 11127

Countersunk head screw M4x10



SG 11154

Universal Smart Fix 120 mm



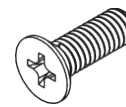
SG 11155

Universal Smart Fix 150 mm



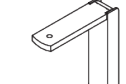
SG 11156

Universal Smart Fix 200 mm



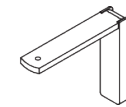
SG 11158

Countersunk head screw M4x12



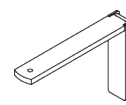
SG 11200

Smart Fix 60 mm



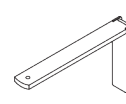
SG 11201

Smart Fix 80 mm



SG 11202

Smart Fix 100 mm



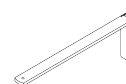
SG 11203

Smart Fix 120 mm



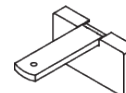
SG 11204

Smart Fix 150 mm



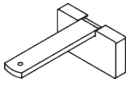
SG 11205

Smart Fix 200 mm



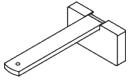
SG 11210

Square Smart Fix 60 mm



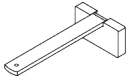
SG 11211

Square Smart Fix 80 mm



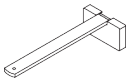
SG 11212

Square Smart Fix 100 mm



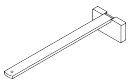
SG 11213

Square Smart Fix 120 mm



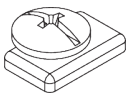
SG 11214

Square Smart Fix 150 mm



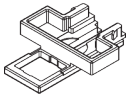
SG 11215

Square Smart Fix 200 mm



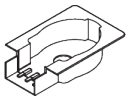
SG 11295

End stop



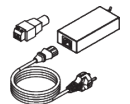
SG 11466

Wave end stop



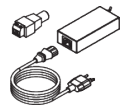
SG 11467

Recess mask



SG 11961

Power supply set 24V/4A with EU plug



SG 11962

Power supply set 24V/4A with CH plug
